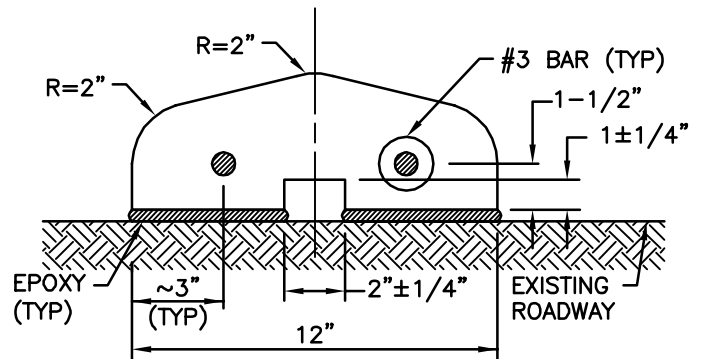
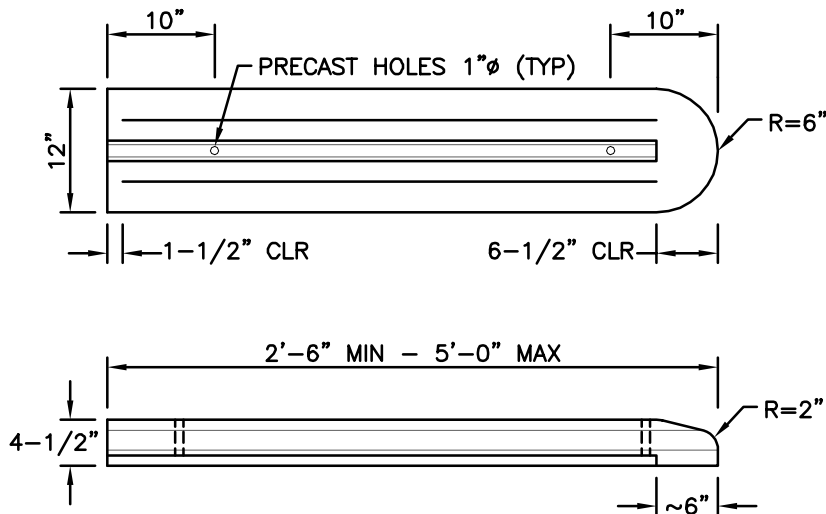


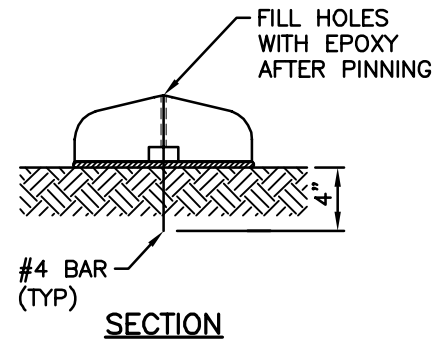
DUAL SLOPED BLOCK



SECTION



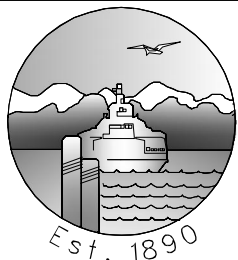
NOSING BLOCK



SECTION

NOTES:

1. 5' LONG STANDARD SECTIONS SHALL BE USED EXCLUSIVELY, EXCEPT TO ADJUST FOR FINAL LENGTH.
2. NOSING SHALL HAVE HOLES PRECAST AS SHOWN.
3. PRECAST TRAFFIC CURB SHALL BE INSTALLED WITH AN EAS-60 TWO PART EPOXY. EPOXY APPLICATION SHALL BE PER MANUFACTURER'S RECOMMENDATIONS.
4. EPOXY SHALL BE PLACED UNDER THE BEARING SURFACE OF THE PRECAST TRAFFIC CURB.
5. APPLY SUFFICIENT EPOXY TO ENSURE SQUEEZE-OUT OF 50% PER EACH SIDE OF EACH CURB SECTION.
6. DUAL FACED CURB MAY BE CONSTRUCTED BY USING (2) PRECAST MOUNTABLE CURBS (LONGITUDINAL HALVES).



CITY OF EDMONDS
PUBLIC WORKS
DEPARTMENT

**PRECAST CONCRETE
DUAL FACED SLOPED
MOUNTABLE CURB**

APPROVED BY: **R. ENGLISH**

REVISION DATE
JANUARY 2018

STANDARD
DETAIL
TR-524